

## TUBULAR LEVEL INDICATOR

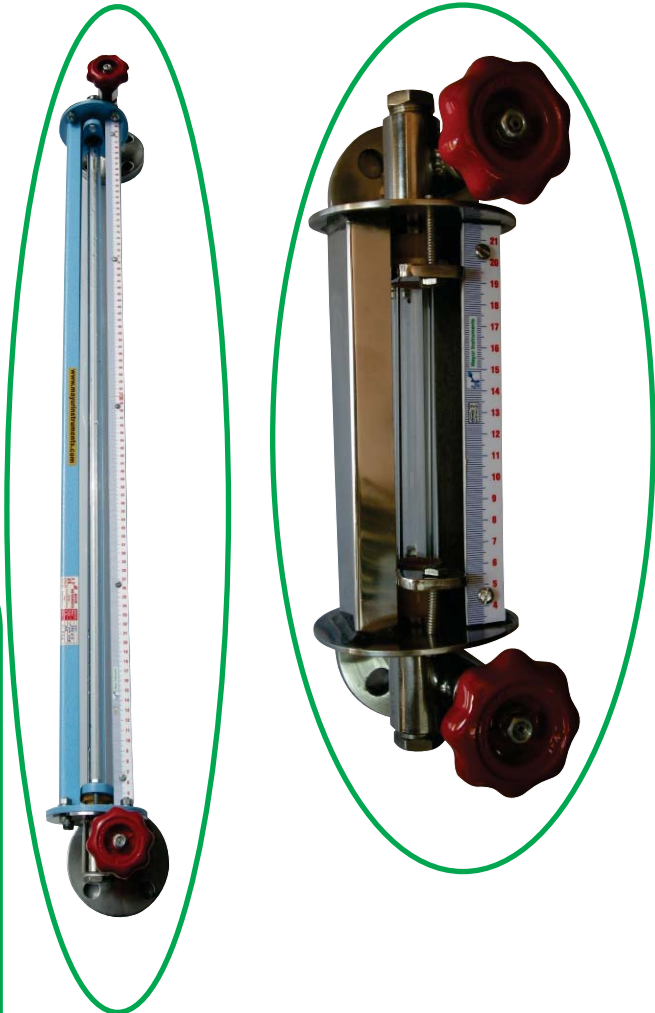
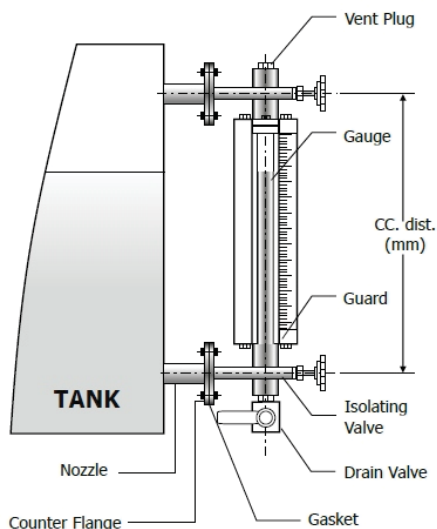
## MODEL - TAN-TLI

### INTRODUCTION

TANSA make Tubular Level Indicator (Side Mounted) is a reliable device for reading the level of the liquid in the tank can easily be observed. It is a simplest form of level indicator. These level indicators find wide application for level measurement in process tanks, batching tanks etc.

### PRINCIPLE

The Gauge is fitted between two end blocks through gland packings. The gauge is mounted parallel to tank so as to form a close loop causing tank liquid to seek its level in gauge. Guards are provided in the form of tie - rods / c - channels around the gauge to protect it from accidental blows. End blocks have built - in isolating valve, drain valve and vent plug.



### General Data

Glass Tube	: Heavy Walled Borosilicate Glass H-19 / 16 Teflon
End Block MOC	: CS / SS 304 / SS 316 / PP / PVDF
Protective Channel	: C.S. Rectangle Channel Box With Powder Coated
Packing	: Teflon
Connection	: Flanged ASA
Valve	: CS / SS 304 / SS 316 / PP / PVDF

### Design Data

Mounting	: Side
Operating Pressure	: Up to 15 Kg/cm <sup>2</sup>
Operating Temperature	: Up to 100°C Up to 4 Meters
Process Connection	: Flanged or Screwed
C-C Distance (±3mm)	: Up to 4000mm (More than 4000mm Please consult Factory)
Visibility	: C-C Distance - 150mm



Unit No. 35/36/41, Om Anand Industrial Estate,  
M. S. Road, Raghunath Nagar, Thane(W) - 400601.  
Tele : 022 - 2583 23 23, 022 - 25823708  
Mobile : +91 9833504585 / 9022827363  
Email : tansaindia@gmail.com / sales@tansa.co.in

[www.tansa.co.in](http://www.tansa.co.in)  
[www.rotameters.co.in](http://www.rotameters.co.in)  
[www.orificeplate.in](http://www.orificeplate.in)

## TUBULAR LEVEL INDICATOR

## MODEL - TAN-TLI

### ORDERING INFORMATION

#### BASIC MODEL

TLI

#### MOUNTING

SD = SIDE



#### BODY MATERIAL

CS = Rectangular Carbon Steel Channel Box Powder Coated  
 4S = Rectangular AISI 304 SS Channel  
 SS = Rectangular AISI 316 SS Channel  
 XX = NON STANDARD



#### PROCESS CONNECTION

Screwed Connections		Flanged Connections(As per ANSI B 16.5)		
5NM = 1/2" NPT (M)	5BM = 1/2" BSP (M)	F501 = 1/2" 150# RF	F101 = 1" 150# RF	F201 = 2" 150# RF
5NF = 1/2" NPT (F)	5BF = 1/2" BSP (F)	F503 = 1/2" 300# RF	F103 = 1" 300# RF	F203 = 2" 300# RF
7NM = 3/4" NPT (M)	7BM = 3/4" BSP (M)	F506 = 1/2" 600# RF	F106 = 1" 600# RF	F206 = 2" 600# RF
7NF = 3/4" NPT (F)	7BF = 3/4" BSP (F)	F751 = 3/4" 150# RF	F151 = 1 1/2" 150# RF	F301 = 3" 150# RF
1NM = 1" NPT (M)	1BM = 1" BSP (M)	F753 = 3/4" 300# RF	F153 = 1 1/2" 300# RF	F303 = 3" 300# RF
1NF = 1" NPT (F)	1BF = 1" BSP (F)	F756 = 3/4" 600# RF	F156 = 1 1/2" 600# RF	F306 = 3" 600# RF
XX = NON STANDARD				



#### TOP SIDE VENT

		Flanged Connections(As per ANSI B 16.5)		
V1 = PLUG - 1/2" NPT (M)		F501 = 1/2" 150# RF	F101 = 1" 150# RF	F201 = 2" 150# RF
V2 = PLUG - 3/4" NPT (M)		F503 = 1/2" 300# RF	F103 = 1" 300# RF	F203 = 2" 300# RF
V3 = PLUG - 1" NPT (M)		F506 = 1/2" 600# RF	F106 = 1" 600# RF	F206 = 2" 600# RF
V4 = VALVE - 1/2" NPT (F)		F751 = 3/4" 150# RF	F151 = 1 1/2" 150# RF	F301 = 3" 150# RF
V5 = VALVE - 3/4" NPT (F)		F753 = 3/4" 300# RF	F153 = 1 1/2" 300# RF	F303 = 3" 300# RF
XX = NON STANDARD		F756 = 3/4" 600# RF	F156 = 1 1/2" 600# RF	F306 = 3" 600# RF



#### BOTTOM SIDE DRAIN

		Flanged Connections(As per ANSI B 16.5)		
V1 = PLUG - 1/2" NPT (M)		F501 = 1/2" 150# RF	F101 = 1" 150# RF	F201 = 2" 150# RF
V2 = PLUG - 3/4" NPT (M)		F503 = 1/2" 300# RF	F103 = 1" 300# RF	F203 = 2" 300# RF
V3 = PLUG - 1" NPT (M)		F506 = 1/2" 600# RF	F106 = 1" 600# RF	F206 = 2" 600# RF
V4 = VALVE - 1/2" NPT (F)		F751 = 3/4" 150# RF	F151 = 1 1/2" 150# RF	F301 = 3" 150# RF
V5 = VALVE - 3/4" NPT (F)		F753 = 3/4" 300# RF	F153 = 1 1/2" 300# RF	F303 = 3" 300# RF
XX = NON STANDARD		F756 = 3/4" 600# RF	F156 = 1 1/2" 600# RF	F306 = 3" 600# RF



#### MATERIAL OF SCALE

AL = Aluminum (Standard)                      4S = AISI 304 SS



#### CENTER TO CENTER DISTANCE

Please specify in mm (e.g. Write 800 for 800 mm Center to Center Distance)  
 (This gauge will be supplied up to 3500 mm in single piece design and above 3500 mm, please consult factory)



#### OPTIONS

BB = BALL VALVE - BOLTED BONNET TYPE                      XX = NON STANDARD ITEMS



**Ordering Example :** M1001 -  -  -  -  -  -  mm -

Note : Modifications may take place and materials specified may be replaced by others without prior notice.



Unit No. 35/36/41, Om Anand Industrial Estate,  
 M. S. Road, Raghunath Nagar, Thane(W) - 400601.  
 Tele : 022 - 2583 23 23, 022 - 25823708  
 Mobile : +91 9833504585 / 9022827363  
 Email : tansaindia@gmail.com / sales@tansa.co.in

[www.tansa.co.in](http://www.tansa.co.in)  
[www.rotameters.co.in](http://www.rotameters.co.in)  
[www.orificeplate.in](http://www.orificeplate.in)